

## Sleeved Plug Valves

Sizes ½" to 16", Class 150 and 300

L&T Valves offers a versatile range of PTFE Sleeved Plug Valves manufactured by Chemtrols Group. The valves offer tight shutoff without sealants or lubricants, and are available in sizes up to 400 mm, in ASME classes 150 and 300.

Interference fit of the taper plug with PTFE sleeve creates a bubble-tight seal. The sleeve totally surrounds the plug, and sealing occurs around the circumference of the plug. The integrity of seal is totally independent of line pressure.

The rugged construction, reliable bubble-tight sealing and on-line maintenance feature make the valve an ideal choice for chemicals and highly aggressive process media.



### Compliance Standards

- Valve Design: ASME B16.34, EN12516-2
- Wall Thickness: ANSI B16.34
- Face-to-Face: ASME B16.10, ASME B16.11
- Flange Dimensions: ANSI B16.5
- Pressure Testing: API 598
- Fire Test: API 607

### Features

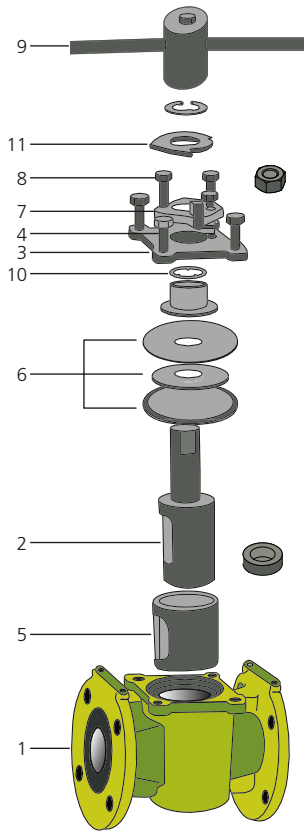
- Taper Plug Design - Lower operating torque compared to lubricated plug valves
- Plug Adjustment Option - Enables on-line maintenance. Avoids downtime.
- Large PTFE Sleeve - Bubble-tight shutoff. No metal-to-metal contact. Longer service life.
- Positively-locked Sleeve - Reliable sealing through thermal cycles
- Wiping action between sleeve and plug - Durability in slurry lines
- Reverse-lip PFA Diaphragm - Self-adjusting dynamic stem seal provides assured sealing to atmosphere
- Rugged Body - Long and reliable service life
- No Cavities - Line Fluid does not get entrapped

### Range

Materials/ Class (End Connections)	Sizes (DN/ NPS)													
	15	20	25	40	50	80	100	150	200	250	300	350	400	
	½	¾	1	1½	2	3	4	6	8	10	12	14	16	
Cast Steel/ Class 150 (Flanged End)	•	•	•	•	•	•	•	•	•	•	•	•	•	
Cast Steel/ Class 300 (Flanged End)	•	•	•	•	•	•	•	•	•	•	•	•	•	
Forged Steel/ Class 300 (Screwed/ Socket-weld)	•	•	•	•	•									

**Specials:** 3-way, 4-way, Jacketed & Cage-type

**Actuators:** Pneumatic, Electrical



## Materials of Construction

No.	Part	MOC
1	Body	Carbon Steel (WCB, LCB), Stainless Steel (CF8, CF8M, CF3, CF3M, CN7M), Inconel, Nickel, Monel, Hastelloy
2	Plug	
3	Top Cap	Duplex/ SS Steel
4	Top cap Fastener	B8/ B7
5	Sleeve	PTFE
6	Composite Diaphragm	PTFE/ Grafoil®/ SS
7	Adjuster	Duplex/ SS Steel
8	Adjuster Fastener	B8/ B7
9	Wrench	Carbon Steel
10	Grounding Spring	SS 302
11	Stop Collar	Cadmium-plated Carbon Steel

### Industries

- Fertilizers
- Chemicals
- Oil & Gas
- Refineries
- Paper & Pulp
- Metals & Mining
- Sugar
- Food & Pharma
- Power
- Water & Waste Water

### Applications

- Phosphate, Ammonia & Urea
- Sulphuric Acid, Phosphoric Acid
- Chemicals, Aromatics & Specialty Chemicals
- Steel, Copper, Aluminum, Cobalt & Steel plants
- Molten Sulphur
- Pipelines, Supply & Distribution Skids



#### L&T Valves Limited

Mount - Poonamallee Road, Manapakkam, Chennai 600 089, INDIA

Tel. : +91 44 2252 9855 Email: ContactUs@Lntvalves.com www.Lntvalves.com CIN Number: U74999MH1961PLC012188

Registered Office: L&T House, N. M. Marg, Ballard Estate, Mumbai - 400 001, INDIA

Publication Number: LTVF003/1018

As we continuously endeavour to improve our products, the data given herein is subject to change.

Please refer www.Lntvalves.com for the latest publication.

